

# ES3200 Series Monitored Electric Strike



The Lockwood Padde Series ES3200 series electric strikes are designed for high security applications and manufactured from solid stainless steel.

These long ANSI strikes offer a strong dependable and long-lasting electric strike solution and are suitable for use with any access control system.

These strikes are extremely flexible and can be changed from fail safe to fail secure and mounted on the left or right hand side of the door, thus reducing the amount of variants needed to cover each application.

## Key Features

- Fail safe/fail secure changeable on site
- Available in 12Vdc
- 850kg holding force
- 1 million cycles endurance rating
- Stainless Steel locking pins
- Continuously rated solenoid
- 5 Year Tricare Warranty (Padde Series)





## Applications

- Timber or metal doors
- Open in/open out doors
- Suitable for use with all access control systems

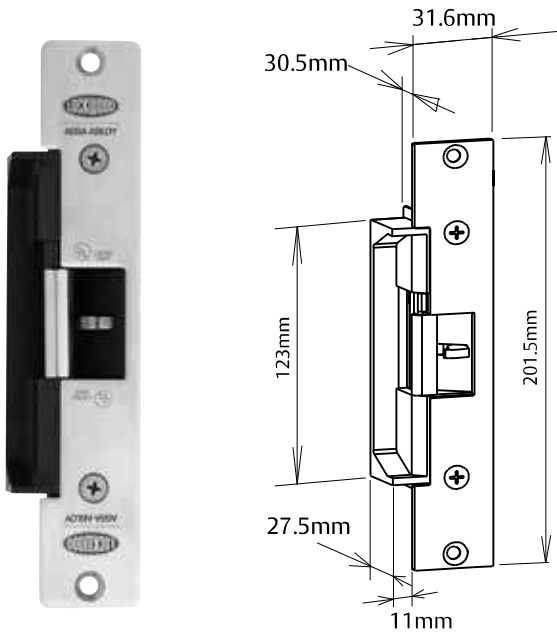
## Product Details

<b>Voltage</b>	12Vdc
<b>Current</b>	175mA @ 12Vdc
<b>Solenoids</b>	Solenoids rated for continuous use.
<b>Monitoring</b>	Solenoid Monitor - 1 amp NO/NC microswitch Door / Latch - 1 amp NO/NC microswitch
<b>Holding Force</b>	850kg Static Strength Rating
<b>Endurance</b>	Cycle tested to 1,000,000 operations
<b>Environment</b>	Operational temperature range -20°C to +60°C
<b>Body</b>	Solid Stainless Steel Construction
<b>Keeper</b>	Stainless Steel
<b>Latch</b>	Suitable for 18mm latchbolt with 3mm door gap

## Standards and Compliance

	Approved to UL1034 (highest level)
	CE Approved
	C-Tick Certified
	Anti-Corrosion.

# ES3200 Series Monitored Electric Strike



ES3200 Harcor Face Plate Wide Extension Lip

## Ordering Information

Part Number	Product Description
ES3200-1	ES3200 E/Strike 12Vdc Fail Safe Non Monitored

## Specification Statement

The strike should be constructed of stainless steel, have a minimum holding force of 850kg and have an endurance rating of 1 million cycles. Monitoring must include independent door / latch & solenoid monitoring. The one strike must be changeable from fail safe to fail secure on site where required. The strike should not consume current greater than 175mA @ 12Vdc and have a solenoid rated for continuous use. Certifications must include CE and C-Tick.