

4X5MP AI Multi-directional Network Camera



IP66

Motorized Lens

DATASHEET



KEY FEATURES

- ▶ NDA Compliance (The fully NDA-compliant products are well-suited for government, defense and a range of projects subject to the NDA.)
- ▶ Support Scooter Detection (Implementing high-precision Scooter detection based on deep learning algorithms, thereby enhancing road safety.)
- ▶ Every Angle with Flexible Positioning (Four lenses support independent angle adjustments, with each lens flexibly mountable to achieve the desired orientation.)
- ▶ Built-in 360° IR LED (It can support six embedded IR lights and up to 30 meters of IR distance offering exceptional image quality across diverse environments.)
- ▶ Integrated Interface Management (Combining the power interface, PoE port, and other interfaces in the base neatly.)
- ▶ Support 2TB Storage (Supporting ultra-large external microSD/SDHC/SDXC card storage up to 2*1TB.)
- ▶ Convenient and Simplified Configuration (Equipped with a WiFi module, the camera can be quickly and easily set up through WiFi connection in scenarios where wiring is unsuitable.)

Multi-directional View

Each sensor employs a motorized focus lens ranging from 3.8 to 8.1 mm and features a 3-axis design along a circular track to achieve comprehensive 360° coverage. The AI Multi-directional Network Camera is equipped with six IR-cut filters and super WDR technology, allowing the camera to sustain optimal image quality and unparalleled visibility in high-contrast lighting conditions.



360° Flexible Rotation

The camera's main body can rotate for a +120° horizontal pivot. Twisting the lens body horizontally adds a +30° swivel. Vertically, the camera tilts from 15° to 105°. Additionally, the lens can be twisted for a +90° rotation, offering great flexibility in positioning and capturing the perfect angles.



Comprehensive Integration

The AI Multi-directional Network Camera is not only equipped with edge AI analytics but also enables compatibility and unified management of four front-end cameras through Milesight VMS Enterprise, ensuring information integration and integrity. The Milesight VMS Enterprise system also supports managing the streams from four cameras with a single license, significantly reducing management costs and complexity.



Excellent Structural Design

The camera's modular design makes installation quick and easy. The snap-fit mechanism allows components to click into place effortlessly, and short-circuit protection ensures safety, these can lead to major cost savings.



4x5MP AI Multi-directional Network Camera



	Model	MS-C5321-FPE (4x5MP)
Camera	Image Sensor	4x1/2.8" Progressive Scan CMOS
	Min. Illumination	Color: 0.005Lux@F1.6 B/W: 0Lux with IR on
	WDR	120dB Super WDR
	Shutter Time	1/100000s~1s
	Day/Night Mode	Day/Night/Auto/Customize/Schedule
	DORI Distance	D:66m ~ 154m/ O:26m ~ 60.5m R:13m ~ 30m/ I:6.5m
	IR Wave Length	850nm
	IR Distance	30m
	S/N	>55dB
Lens	Lens	Motorized 3mm~9mm @F1.6
	Mount	φ14
	Field of View	H92° ~ H40°/ D116° ~ D49°/ V67°~V30°
	Focus Control	Remote
	Aperture	F1.6-F2.7
	Iris Control	Fixed
	Camera Angle Adjustment	Pan ±120°, Tilt +15 to +105°, Rotation ±90°, Twist ±30°
Video	Max. Image Resolution	2592x1944 (5MP) x4
	Primary Stream	60Hz: 30fps@(2592x1944, 2592x1520, 2048x1536, 1920x1080, 1280x960, 1280x720) 50Hz: 25fps@(2592x1944, 2592x1520, 2048x1536, 1920x1080, 1280x960, 1280x720)
	Secondary Stream	60Hz: 30fps@(1280x720, 704x576, 640x480, 640x360, 352x288, 320x240) 50Hz: 25fps@(1280x720, 704x576, 640x480, 640x360, 352x288, 320x240)
	Bundle Stream	60Hz: 30fps@(1920x1080, 1280x960, 1280x720) 50Hz: 25fps@(1920x1080, 1280x960, 1280x720)
	Video Compression	H.265+/H.265(HEVC)/H.264+/H.264/MJPEG
	Video Bit Rate	16Kbps~16Mbps(CBR/VBR Adjustable)
	Web Access	Support Chrome/Microsoft Edge/Safari/Firefox/Browser
Image	Privacy Masking	Up to 4x8 areas
	ROI	Up to 4x8 areas

4x5MP AI Multi-directional Network Camera



Image	Image Setting	Brightness/Contrast/Saturation/Sharpness
	Image Enhancement	BLC, HLC, 2D DNR, 3D DNR, AGC, AWB, Deblur, Anti-flicker, Corridor Mode
Interface	Ethernet	1*RJ45 10M/100M/1000M Ethernet Port
	Alarm I/O	1/1
	Audio I/O	1/1
Network	Network Storage	NAS(Support NFS, SMB/CIFS), ANR
	Protocol	IPv4/IPv6, ARP, TCP, UDP, RTCP, RTP, RTSP, RTMP, HTTP, HTTPS, DNS, DDNS, DHCP, FTP, NTP, SMTP, SNMP, UPnP, Bonjour, SIP, PPPoE, VLAN, 802.1x, QoS, IGMP, ICMP, SSL, TLS 1.2
Wireless Network	WLAN	802.11n/802.11g
Audio	Audio Compression	G.711/AAC/G.722/G.726
	Audio Sampling Rate	8/16/32/44.1/48KHz
	Audio Bit Rate	16~256kbps
Intelligent Analytics	Video Analysis	Intrusion Detection, Region Entrance, Region Exiting, Advanced Motion Detection, Tamper Detection, Line Crossing, Loitering, Object Left, Object Removed
	Target Classification	Human, Motor Vehicle(Car, Motorcycle, Bus, Truck), Non-motor Vehicle (Scooter)
Event	Basic Event	Motion Detection, Network Disconnection, Audio Alarm, External Output, etc.
	Exception	Network Disconnection, IP Address Filtering, Record Failed, SD Card Full, SD Card Uninitialized, SD Card Error, No SD Card, Watermark
	Event Action	FTP Upload, SMTP Upload, SD Card Record, SIP Phone, HTTP Notification, etc.
System	Storage	Supports two microSD/SDHC/SDXC cards for local storage, each with a maximum capacity of 1TB
	SIP/VoIP Support	Support
	System Compatibility	ONVIF Profile G & S & T & M, API
General	Working Temperature	-40°C~60°C
	Working Humidity	0~95%(Non-condensing)
	Power Supply	PoE(802.3at)/DC 12V ± 10%
	Power Consumption	Min: 8.8W (DC 12V), 10W (PoE) Max: 26.5W (DC 12V), 22.4W (PoE)
	Surge Protection	4KV
	Weight	3.1Kg
	Dimensions	φ 280mmX97mm
	Warranty	3/5 Years
Certifications	EMC	CE-EMC (EN 55032, EN 55035), RCM(AS/NZS CISPR 32), FCC (PART 15B)
	RF	CE-RED (EN 300 328, EN301489-1, EN301489-17, EN 62133), FCC(Part 15.247), RCM(AS/NZS 4268)

4x5MP AI Multi-directional Network Camera



Certifications

Safety

CE-LVD (EN IEC 62368-1)

Environment

CE-ROHS (Directive (EU) 2015/863 amending 2011/65/EU)

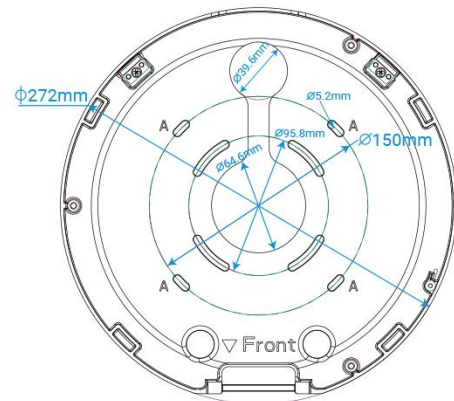
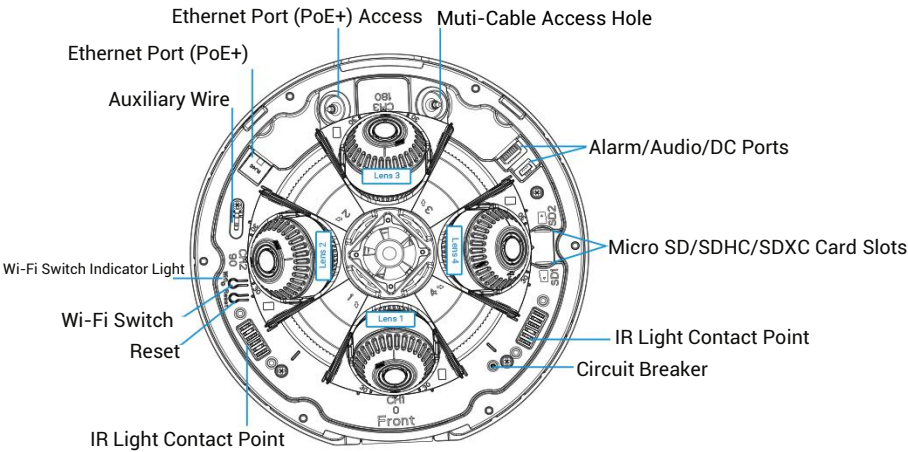
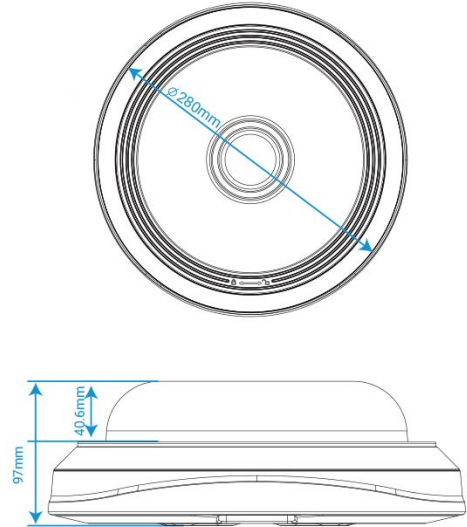
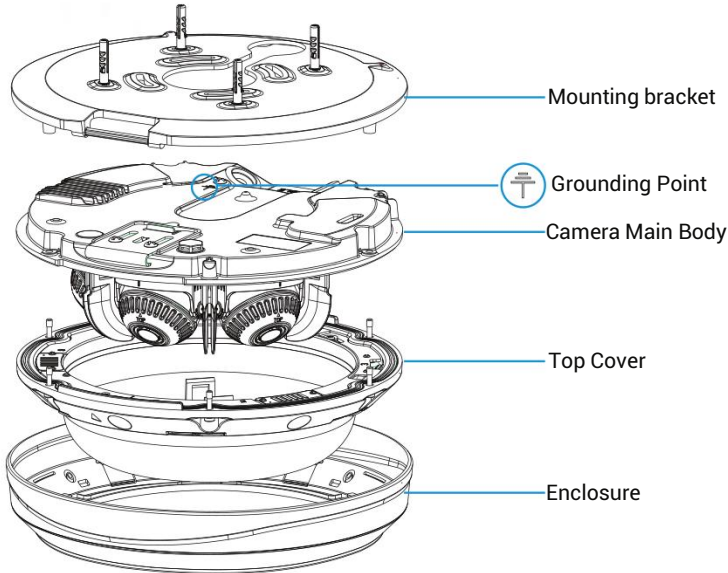
Protection

IP67, IK10

4x5MP AI Multi-directional Network Camera



Structure Diagrams



Units: mm

Accessories Support

A44 Wall Mount

Weight: 700g

Dimensions:

135mm*185mm*315.5mm



A79 Pendant Mount

Weight: 850g

Dimensions: $\phi 185*295\text{mm}$

