

S360 Response Unit



Datasheet

Connectors

RJ-45 UTP Cat6, supporting IEEE 802.3bt (PoE++)

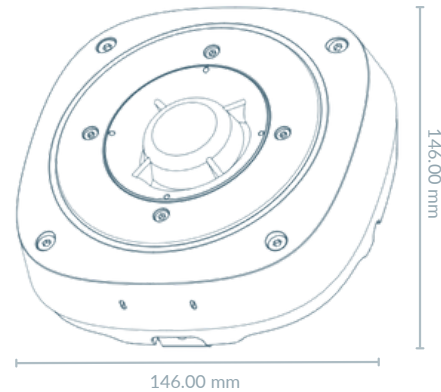
DC Connector 12V/4A

Alarm IN

Alarm OUT

Reset button

Audio input: RCA Female



Power input

Power Usage: maximum 45 W

PoE: IEEE 802.3bt Type 3 minimum (PoE++)

Direct power: 12-36V DC

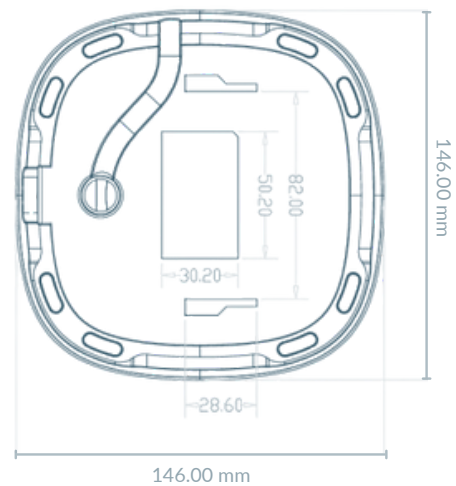
Networking and integration

LAN

WiFi (2.4 GHz)

Configuration via HTTP web page

TCP/IP, SMTP, RTSP, ONVIF, Intelligent Security API (ISAPI), HTTP/HTTPS



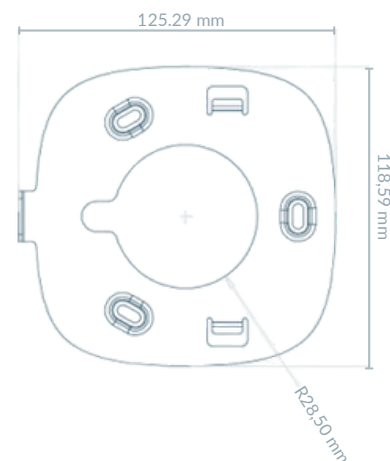
Hardware

Audio speaker, up to 120 dB

RGB Front LED lights

RGB Background LED lights

Built-in microphone



Enhance on-site security awareness and response