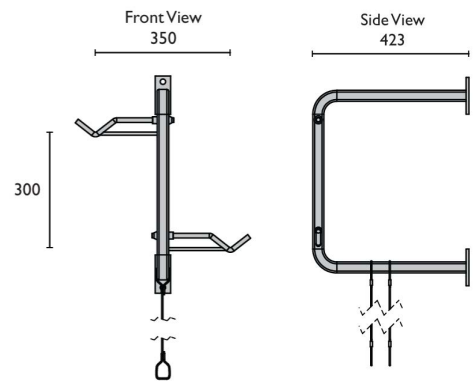


# Wall Mounted

**BR542F**



## OVERVIEW

The BR542F is the ideal solution when bikes need to be hung vertically on a wall. Designed to maximise space, it allows two bikes to be parked at staggered heights, making it easy to fit more bikes into compact areas. Highly functional and excellent value, this dual rack offers a simple and efficient way to organise bicycle parking in a wide range of environments.

Its sturdy construction and user-friendly design make it suitable for everyday use, ensuring bikes remain securely positioned without hassle. The clean, minimal aesthetic also makes it a great fit for residential garages, workplaces, end-of-trip facilities, or any location where both practicality and presentation matter.

Choose SecuraBike for your bicycle parking needs, and experience the quality and reliability that comes from our extensive expertise in the industry.

## SPECIFICATIONS

### Mild steel:

- 30 x 30 x 1.6mm SHS / Hot dipped galvanised
- 100 x 40 x 6mm MS plate / Hot dipped galvanised

### CAPACITY

2

### WEIGHT (KG)

4