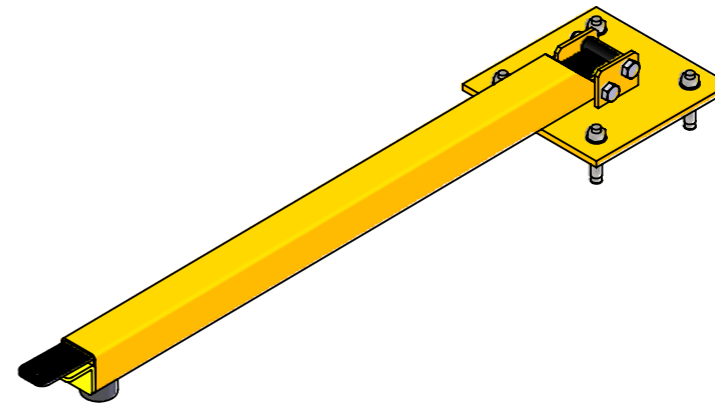
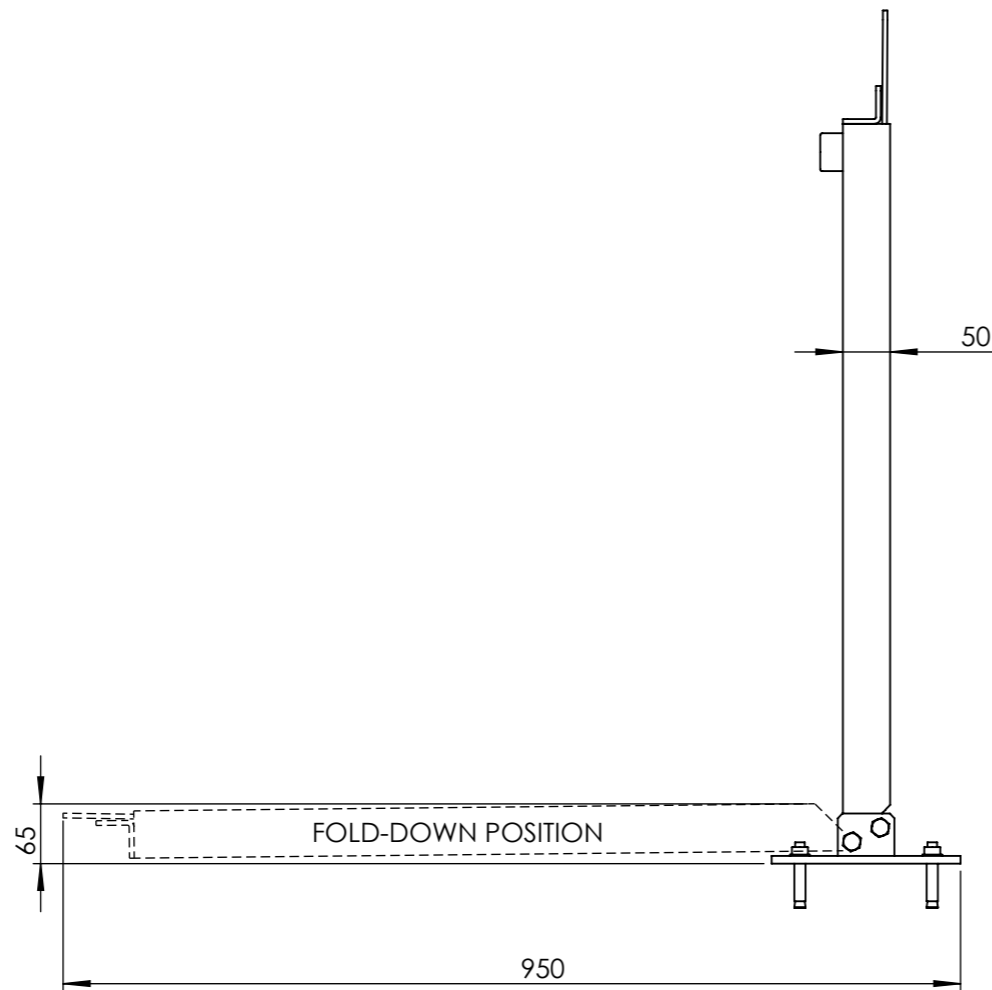
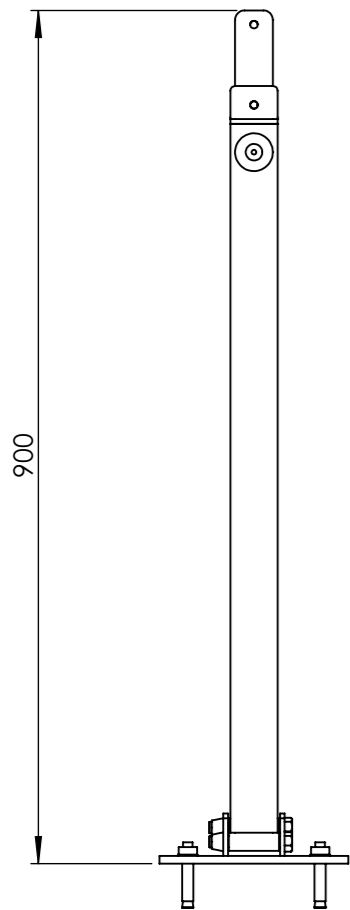
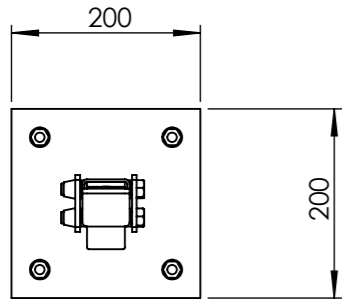


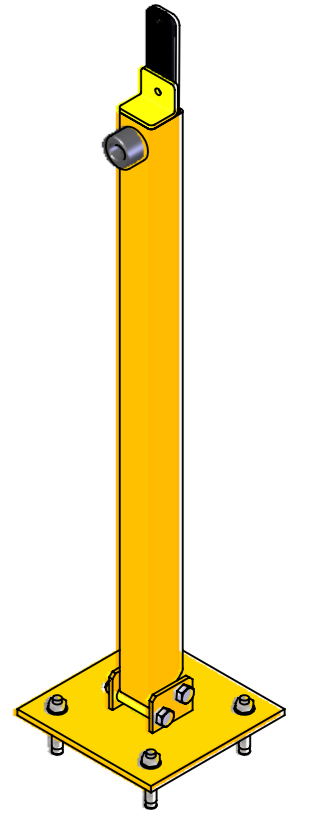
REVISION

REV.	DESCRIPTION	DATE	DRAWN	CHECKED	APPROVED
A	INITIAL RELEASE	5/04/2024	E.C.	-	-

THIS DRAWING IS THE COPYRIGHT OF LEDA SECURITY PRODUCTS
IT IS PRIVATE AND CONFIDENTIAL AND IS SUPPLIED ON THE EXPRESS
CONDITION THAT IT IS NOT USED FOR ANY PURPOSE OR COPIED OR
COMMUNICATED TO ANY OTHER PARTY WITHOUT THE WRITTEN
CONSENT OF LEDA SECURITY PRODUCTS



FOLD-DOWN POSITION



MATERIAL DESCRIPTION:				
-				
FINISH:	POWDERCOATED	WEIGHT:	kg	
SCALE:	1:8 AT A3	SW FILE:	FDB75B-GA-00	
LINEAL TOLERANCES		ANGULAR TOLERANCES		
1.0 to 250	250 to 500	500 to 1000	1000 to 5000	± 0.5°
± 0.2	± 0.5	± 1.0	± 2.5	
 THIRD ANGLE PROJECTION				



HEAD OFFICE: 18 Reliance Drive, Tuggerah NSW 2259
Phone +61 2 4353 3377 - Email design@ledasecurity.com.au

© COPYRIGHT 2023 - ALL INTELLECTUAL PROPERTY RIGHTS RESERVED

ISSUED FOR: CLIENT REFERENCE		DRAWN BY: E.C.	
JOB No.	CLIENT/SITE:	APPROVED BY: -	
-	-		
MODEL DESCRIPTION:			
FOLD DOWN PADLOCK PARKING BOLLARD - GENERAL ARRANGEMENT			
ITEM: FDB75B-GA-00	REV: A	INDEX: AA	DRAWING DATE: 5/04/2024 SHEET: 1 OF 1

LAST SAVED BY Echan, ON Friday, 5 April 2024 4:09:34 PM

DO NOT SCALE DWG : IF IN DOUBT ASK