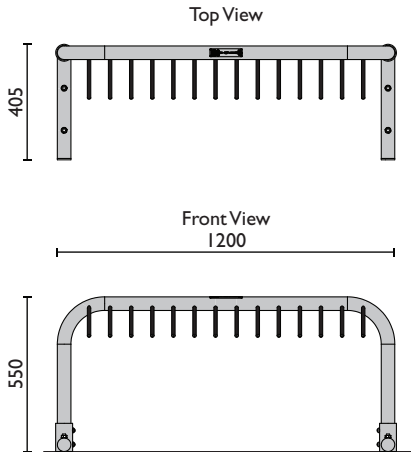


Racks for Scooters and Skateboards

SCR13

Provides parking for up to 13 scooters and skateboards



Introduction	1
Bicycle Facts	4
Design Guide	6
Product Selection	7
Consulting	12
Installation	13
Security Classes	14

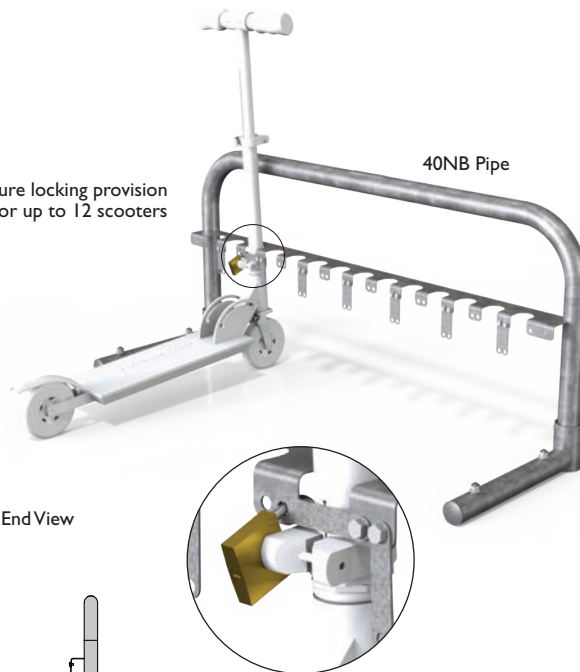
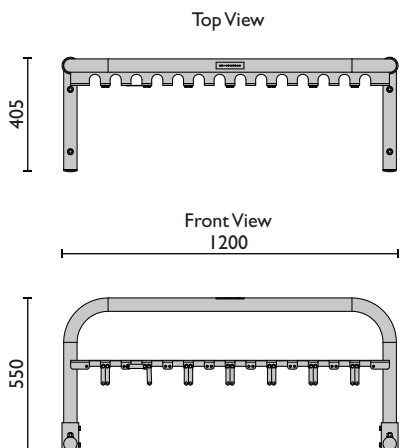
PRODUCT RANGE

Rails	15
Racks	23
Repair Stations	46
End-of-Journey	50

SCR12L

Lockable

Provides secure locking provision for up to 12 scooters



Note: Padlocks are not supplied

Cages	64
Lockers	68
Shelters	74
Scooters Racks	78
Other Products	80
AS2890.3 Overview	82
Packaging	85
Index	86

Material Specifications (General)

SCR13 40NB (50.0) x 1.5mm light duty pipe / Ø12 round bars / Galvanised
 SCR12L 40NB (50.0) x 1.5mm light duty pipe / Galvanised

