

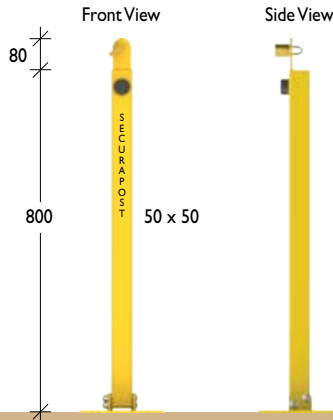
Guardsman

Material FDB75B – 50mm galvanised RHS
 FDB90B – 65NB (76.1) x 3.6mm medium duty (C250 Grade) gal pipe /
 65NB (76.1) x 3.6mm stainless steel (Grade 304) pipe
Finish Electrostatically powder coated in black or industrial yellow /
 Linished or electro-polished

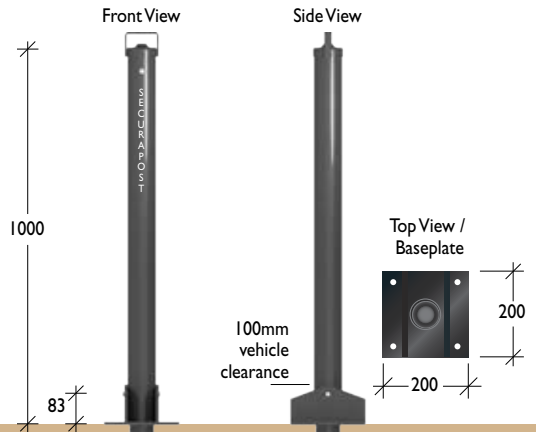


The perfect low cost vehicular access control device.
 Also ideal for protecting your car space
 and a good solution for suspended slab installations
 or where core drilling is not possible.

**Fold Down Bollard
 FDB75B**



**Fold Down Bollard
 Steel
 FDB90B
 Stainless Steel
 SFDB90B**



Locking pipe Ø42.4mm x 47mm

Warden

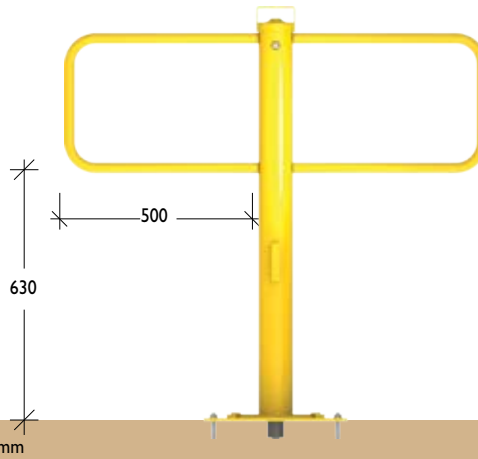
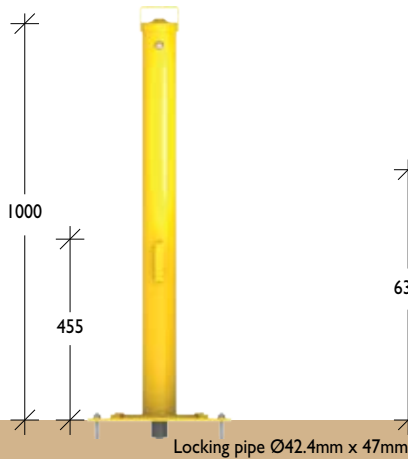
Material 80NB (88.9) x 5.9mm heavy duty (C250 Grade) galvanised pipe
 20NB (26.9) x 2.6mm medium duty galvanised pipe
Finish Galvanised or electrostatically powder coated in a range of colours



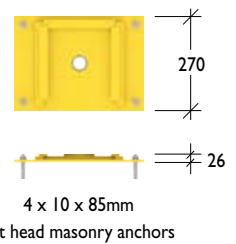
Recommended for vehicular access control or parking protection and a good solution
 for suspended slab installations or where core drilling is not possible.

**Locking &
 Removable
 SPS90B**

**Locking &
 Removable
 with wings
 SPS90BW**



Baseplate
 fixing details



4 x 10 x 85mm
 flat head masonry anchors