

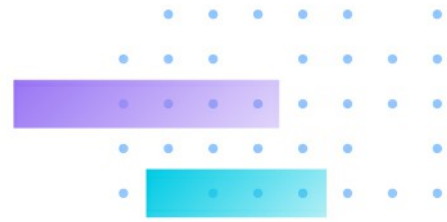
NR9682-v2

H.265 64CH 16Bay NVR

H.265 • VAST 2 Inside • 64CH • 16 x HDD • ONVIF • Dual LAN • Fisheye Dewarp • RAID • Redundant Power

- H.265/H.264 Compression Technology
- Up to 64CH Recording, 64CH Display
- Support HDMI, Display Port & DVI Simultaneous Output
- 16 Hot-Swappable HDD Bays
- Support RAID 0/1/5/6/10 Storage
- Redundant Power
- Multiple Fisheye Dewarp Support
- Dual Lan Giga Network Ports
- VIVOTEK VAST 2 CMS Inside
- Smart Search II: People/Vehicle Search
- Analytics Integration: Smart VCA, Parking Violation/Restricted Zone Detection
- Cybersecurity Management Solution
- Comprehensive VIVOTEK Solution Support





Technical Specifications

Device

Model	NR9682-v2
OS	Embedded Windows 10
Watchdog	Hardware + Software
Power Restoration	System restart automatically after power recovery

Display

LiveView Display	64 Channels Equal: 1x1, 2x2, 3x3, 4x4, 5x5, 6x6, 7x7, 8x8 Panorama: 1P+6, 2P, 2P+3, 3P Focus: 1+12, 1+16, 1+3, 1+5, 1+7, 1+9, 2+8 Vertical: 1V+6, 2V+2, 2V+3, 3V, 3V+4, 4V, 4V+4, 5V Single layout display, full screen display Custom layout, layout rotation
Video Output	HDMI x1, Display Port x1, DVI x1
Display Resolution	HDMI: 1920x1080 DVI: 1920x1080 DP: 4096x2304
Dual Monitor	Supported
Camera Position	Change the view cell position on the live view screens
Stream Application	Stream selection & auto stream size
Monitor Enhancement	eMap embedded Drag & Drop Remote I/O control PiP (digital zoom) Instant playback Video display mode (aspect ratio & camera information) Metadata display (VCA, POS and Data Magnet)
Fisheye Dewarp	1O, 1P, 1R, 1O3R, 4R, 2P, 4R Pro, 1O8R and fisheye auto-pan
PTZ/ePTZ Operation	Direction control, home, zoom, focus, iris, preset, patrol (group), tracking, pan, stop, speed, wiper blade control

Video

Video Format	MJPEG, MPEG4, H.264 AVC, H.264 SVC, H.265
Graphic Decoder	Software decoding
Decoding Resolution	Up to 8192x8192
Decoding Capability	H.264: 1920x1080 @ 540 fps H.265: 1920x1080 @ 270 fps

Audio

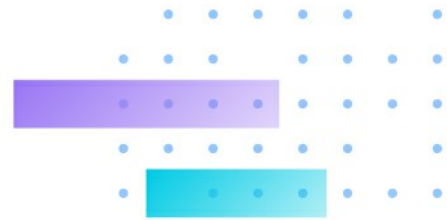
Audio Format	G.711, G.726, AMR, AAC
Audio In/Out	Microphone audio jack Input x1 3.5 line output audio jack x1
2-way Audio	Supported

Record

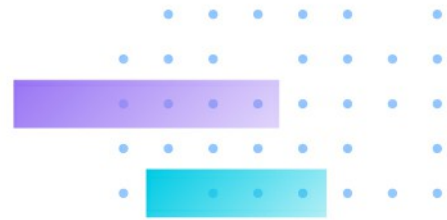
Recording Time (sec.)	Pre-Record: 3-15 Post-Record: 10-60
Recording Stream	Single
Recording Throughput	512 Mbps
Recording Mode	Continuous, event, customized schedule, activity adaptive streaming
Recording Setting	Recycling time depends on the remaining storage space or the set number of days
Seamless Recording	Supported

Storage & Backup

HDD Devices	Hot-Swappable tray x16 *HDD is purchased by separately.
HDD Max. Capacity	*Please refer to recommended HDD list on the VIVOTEK website.
RAID	RAID 0, 1, 5, 6, 10
Disk Management	Create, format and remove disk



Manual Backup	USB Dongle (FAT Format) NAS (SMB & CIFS)
Schedule Backup	NAS (SMB & CIFS)
Playback	
Playback Display	64 Channels (the max. number of monitors supported depends on the decoding capability of your system) Equal: 1x1, 2x2, 3x3, 4x4, 5x5, 6x6, 7x7, 8x8 Panorama: 1P+6, 2P, 2P+3, 3P Focus: 1+12, 1+16, 1+3, 1+5, 1+7, 1+9, 2+8 Vertical: 1V+6, 2V+2, 2V+3, 3V, 3V+4, 4V, 4V+4, 5V Single layout display, full screen display Custom layout, layout rotation
Playback Control	Play, rewind, pause, stop, next/previous frame, 1/64X ~ 64X speed control, bookmark
Video Search	Calendar, event, alarm, bookmark, thumbnail, Smart Search II, transaction (POS), Data Magnet, log
Snapshot	BMP & JPEG
Video Clip Export	3GP & EXE
Network	
Ethernet	10/100/1000Mbps Ethernet (RJ-45) x2
Video Throughput for Remote Client	400 Mbps
Protocols	IPv4, TCP/IP, HTTP, HTTPS, UPnP, RTSP/RTP/RTCP, SMTP, FTP, DHCP, NTP, DNS, DDNS, IP Filter
Alarm Management	
Alarm Period (sec.)	Max. 30
Alarm Filter	Time, trigger type (camera/substation/system), status, name, trigger source
Alarm Setting	Realtime system notification Alarm result display by list or thumbnail
Schedule Type	Continuous, schedule, manual
Camera Event	General: motion detection, camera DI, camera DO, IR (infrared), PIR (passive infrared), tampering detection, temperature, camera disconnected, recording error, stop recording, video loss (video server only), SD card life expectancy detection, audio detection, shock detection Smart VCA: intrusion detection, loitering detection, line crossing detection, unattended object detection, missing object detection, face detection Smart 360 VCA: intrusion detection, crowd detection, loitering detection Trend Micro IoT Security: brute force attack, cyberattack, quarantine event
Substation	ND Series NVR: fan status, network disconnected, storage failure, storage full, number of remaining people, brute force attack, cyberattack, quarantine event NR Series NVR: network disconnected, storage failure, storage full NV Series NVR: abnormal G-sensor motion, speeding, GPS disconnected
External Devices Event	DI/O (with I/O box), TCP message
Action	Start to record videos, set DO status, go to camera presets, send HTTP requests, send live streaming, send email with snapshot of assigned camera(s), go to eMap, sound the alarm and add bookmark
Alarm State for Management	New, in progress, false alarm and close
Alarm Result Export	.csv file
eMap	
Source	Import picture & folder
Device	Camera, external DI/O
Marked	Add, remove, direction control, PTZ control, FOV control, live view & playback
Event Notification	One or more live streaming
External Interface	
USB	Front: USB 3.0 x2 Back: USB 3.0 x6, USB2.0 x2
Audio	Microphone audio jack Input x1 3.5 Line output audio jack x1



System

POS Integration	Supported
UPS Integration	Supported
Camera Integration	ONVIF Profile S
I/O Box Integration	Advantech ADAM-6000 series CHIYU CYT-133SC MOXA ioLogik E1210, E1211 and E1212
User Management	Authentication: basic account / Windows AD account User account: 1024 User level: administrator / customized user
Log	Operation, system and event log
Date & Time	Sync server

Advanced Features

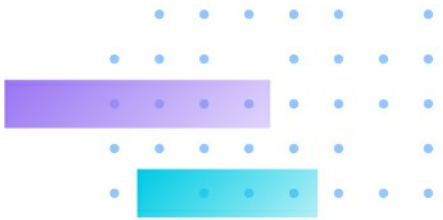
VCA Counting Solution	Supported
VCA Event Search	Smart VCA, Smart 360 VCA
Smart Search	Smart Search, Smart Search II
Cybersecurity Management	Supported
Failover	Supported

Remote Client

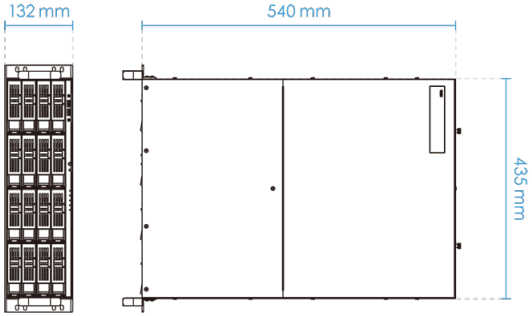
Software AP	Shepherd, VAST 2
Mobile/Tablet App	iViewer (iOS/Android)
Web Browser	Internet Explorer 9 (32 bit) or above

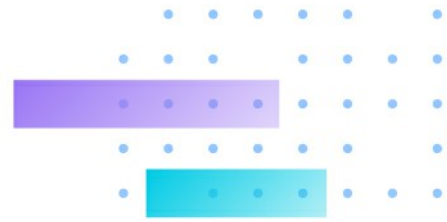
General

Power Input	Redundant power 100~220V AC
Power Consumption	Max. 550 W
Redundant Power	Supported
80 Plus Certified	Silver
Dimensions	132 (H) x 435 (W) x 540 (D) mm
Weight	33 kg (without HDD)
Operating Temperature	5°C ~ 35°C (41°F ~ 95°F)
Humidity	0 ~ 95%
Safety Certifications	CE, FCC, VCCI, C-Tick, UL, CB
Warranty	36 months



Dimensions





Ordering Information

Model	Description	P/N
NR9682-v2	H.265 64CH 16Bay NVR	100217100G