



NR9782-v2

H.265 128CH 16Bay NVR

H.265 • VAST 2 Inside • 128CH • 16 x HDD • ONVIF • Dual LAN • Fisheye Dewarp
• RAID • Redundant Power

- H.265/H.264 Compression Technology
- Up to 128CH Recording, 64CH Display
- Support HDMI, Display Port & DVI Simultaneous Output
- 16 Hot-Swappable HDD Bays
- Support RAID 0/1/5/6/10 Storage
- Redundant Power
- Dual Lan Giga Network Ports
- Multiple Fisheye Dewarp Support
- VIVOTEK VAST 2 CMS Inside
- Smart Search II: People/Vehicle Search
- Analytics Integration: Smart VCA, Parking Violation/Restricted Zone Detection
- Cybersecurity Management Solution
- Comprehensive VIVOTEK Solution Support





Technical Specifications

Device

| | |
|-------------------|---|
| Model | NR9782-v2 |
| OS | Embedded Windows 10 |
| Watchdog | Hardware + Software |
| Power Restoration | System restart automatically after power recovery |

Display

| | |
|---------------------|--|
| LiveView Display | 128 Channels (with dual monitors) Equal: 1x1, 2x2, 3x3, 4x4, 5x5, 6x6, 7x7, 8x8 Panorama: 1P+6, 2P, 2P+3, 3P Focus: 1+12, 1+16, 1+3, 1+5, 1+7, 1+9, 2+8 Vertical: 1V+6, 2V+2, 2V+3, 3V, 3V+4, 4V, 4V+4, 5V Single layout display, full screen display Custom layout, layout rotation |
| Video Output | HDMI x1, Display Port x1, DVI x1 |
| Display Resolution | HDMI: 1920x1080 DVI: 1920x1080 DP: 4096x2304 |
| Dual Monitor | Supported |
| Camera Position | Change the viewcell position on the Live View screens |
| Stream Application | Stream selection & auto stream size |
| Monitor Enhancement | eMap embedded Drag & Drop Remote I/O control PiP (digital zoom) Instant playback Video display mode (aspect ratio & camera information) Metadata display (VCA, POS and Data Magnet) |
| Fisheye Dewarp | 10, 1P, 1R, 103R, 4R, 2P, 4R Pro, 108R and fisheye auto-pan |
| PTZ/ePTZ Operation | Direction control, home, zoom, focus, iris, preset, patrol (group), tracking, pan, stop, speed, wiper blade control |

Video

| | |
|---------------------|--|
| Video Format | MJPEG, MPEG4, H.264 AVC, H.264 SVC, H.265 |
| Graphic Decoder | Software decoding |
| Decoding Resolution | Up to 8192x8192 |
| Decoding Capability | H.264: 1920x1080 @ 540 fps H.265: 1920x1080 @ 270 fps |

Audio

| | |
|--------------|---|
| Audio Format | G.711, G.726, AMR, AAC |
| Audio In/Out | Microphone audio jack Input x1 3.5 line output audio jack x1 |
| 2-way Audio | Supported |

Record

| | |
|-----------------------|---|
| Recording Time (sec.) | Pre-Record: 3-15 Post-Record: 10-60 |
| Recording Stream | Single |
| Recording Throughput | 512 Mbps |
| Recording Mode | Continuous, event, customized schedule, activity adaptive streaming |
| Recording Setting | Recycling time depends on the remaining storage space or the set number of days |
| Seamless Recording | Supported |

Storage & Backup

| | |
|-------------------|---|
| HDD Devices | Hot-Swappable tray x16 *HDD is purchased by separately. |
| HDD Max. Capacity | *Please refer to recommended HDD list on the VIVOTEK website. |
| RAID | RAID 0, 1, 5, 6, 10 |
| Disk Management | Create, format and remove disk |



| | |
|------------------------------------|---|
| Manual Backup | USB Dongle (FAT Format) NAS (SMB & CIFS) |
| Schedule Backup | NAS (SMB & CIFS) |
| Playback | |
| Playback Display | 64 Channels (the max. number of monitors supported depends on the decoding capability of your system) Equal: 1x1, 2x2, 3x3, 4x4, 5x5, 6x6, 7x7, 8x8 Panorama: 1P+6, 2P, 2P+3, 3P Focus: 1+12, 1+16, 1+3, 1+5, 1+7, 1+9, 2+8 Vertical: 1V+6, 2V+2, 2V+3, 3V, 3V+4, 4V, 4V+4, 5V Single layout display, full screen display Custom layout, layout rotation |
| Playback Control | Play, rewind, pause, stop, next/previous frame, 1/64X ~ 64X speed control, bookmark |
| Video Search | Calendar, event, alarm, bookmark, thumbnail, Smart Search II, transaction (POS), Data Magnet, log |
| Snapshot | BMP & JPEG |
| Video Clip Export | 3GP & EXE |
| Network | |
| Ethernet | 10/100/1000Mbps Ethernet (RJ-45) x2 |
| Video Throughput for Remote Client | 400 Mbps |
| Protocols | IPv4, TCP/IP, HTTP, HTTPS, UPnP, RTSP/RTP/RTCP, SMTP, FTP, DHCP, NTP, DNS, DDNS, IP Filter |
| Alarm Management | |
| Alarm Period (sec.) | Max. 30 |
| Alarm Filter | Time, trigger type (camera/substation/system), status, name, trigger source |
| Alarm Setting | Realtime system notification Alarm result display by list or thumbnail |
| Schedule Type | Continuous, schedule, manual |
| Camera Event | General: motion detection, camera DI, camera DO, IR (infrared), PIR (passive infrared), tampering detection, temperature, camera disconnected, recording error, stop recording, video loss (video server only), SD card life expectancy detection, audio detection, shock detection Smart VCA: intrusion detection, loitering detection, line crossing detection, unattended object detection, missing object detection, face detection Smart 360 VCA: intrusion detection, crowd detection, loitering detection Trend Micro IoT Security: brute force attack, cyberattack, quarantine event |
| Substation | ND Series NVR: fan status, network disconnected, storage failure, storage full, number of remaining people, brute force attack, cyberattack, quarantine event NR Series NVR: network disconnected, storage failure, storage full NV Series NVR: abnormal G-sensor motion, speeding, GPS disconnected |
| External Devices Event | DI/O (with I/O box), TCP message |
| Action | Start to record videos, set DO status, go to camera presets, send HTTP requests, send live streaming, send email with snapshot of assigned camera(s), go to eMap, sound the alarm and add bookmark |
| Alarm State for Management | New, in progress, false alarm and close |
| Alarm Result Export | .csv file |
| eMap | |
| Source | Import picture & folder |
| Device | Camera, external DI/O |
| Marked | Add, remove, direction control, PTZ control, FOV control, live view & playback |
| Event Notification | One or more live streaming |
| External Interface | |
| USB | Front: USB 3.0 x2 Back: USB 3.0 x6, USB2.0 x2 |
| Audio | Microphone audio jack Input x1 3.5 Line output audio jack x1 |



System

| | |
|---------------------|---|
| POS Integration | Supported |
| UPS Integration | Supported |
| Camera Integration | ONVIF Profile S |
| I/O Box Integration | Advantech ADAM-6000 series CHIYU CYT-133SC MOXA ioLogik E1210, E1211 and E1212 |
| User Management | Authentication: basic account / Windows AD account User account: 1024 User level: administrator / customized user |
| Log | Operation, system and event log |
| Date & Time | Sync server |

Advanced Features

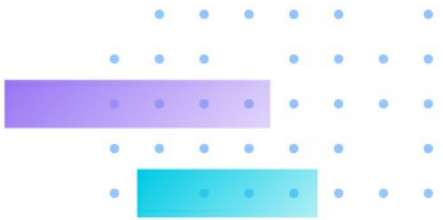
| | |
|--------------------------|-------------------------------|
| VCA Counting Solution | Supported |
| VCA Event Search | Smart VCA, Smart 360 VCA |
| Smart Search | Smart Search, Smart Search II |
| Cybersecurity Management | Supported |
| Failover | Supported |

Remote Client

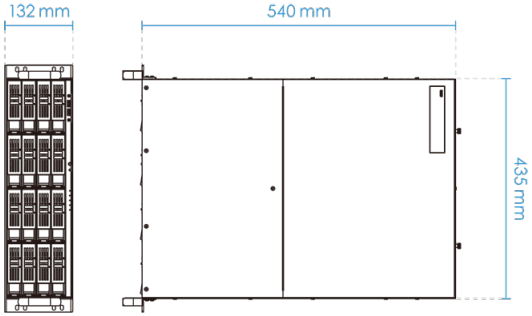
| | |
|-------------------|---------------------------------------|
| Software AP | Shepherd, VAST 2 |
| Mobile/Tablet App | iViewer (iOS/Android) |
| Web Browser | Internet Explorer 9 (32 bit) or above |

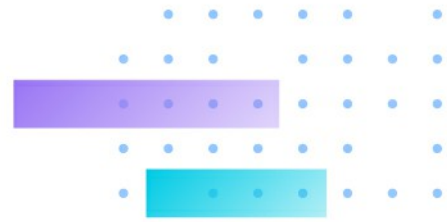
General

| | |
|-----------------------|--------------------------------|
| Power Input | Redundant power 100~220V AC |
| Power Consumption | Max. 550 W |
| Redundant Power | Supported |
| 80 Plus Certified | Silver |
| Dimensions | 132 (H) x 435 (W) x 540 (D) mm |
| Weight | 33 kg (without HDD) |
| Operating Temperature | 5°C ~ 35°C (41°F ~ 95°F) |
| Humidity | 0 ~ 95% |
| Safety Certifications | CE, FCC, VCCI, C-Tick, UL, CB |
| Warranty | 36 months |



Dimensions





Ordering Information

| Model | Description | P/N |
|-----------|-----------------------|------------|
| NR9782-v2 | H.265 128CH 16Bay NVR | 100217000G |