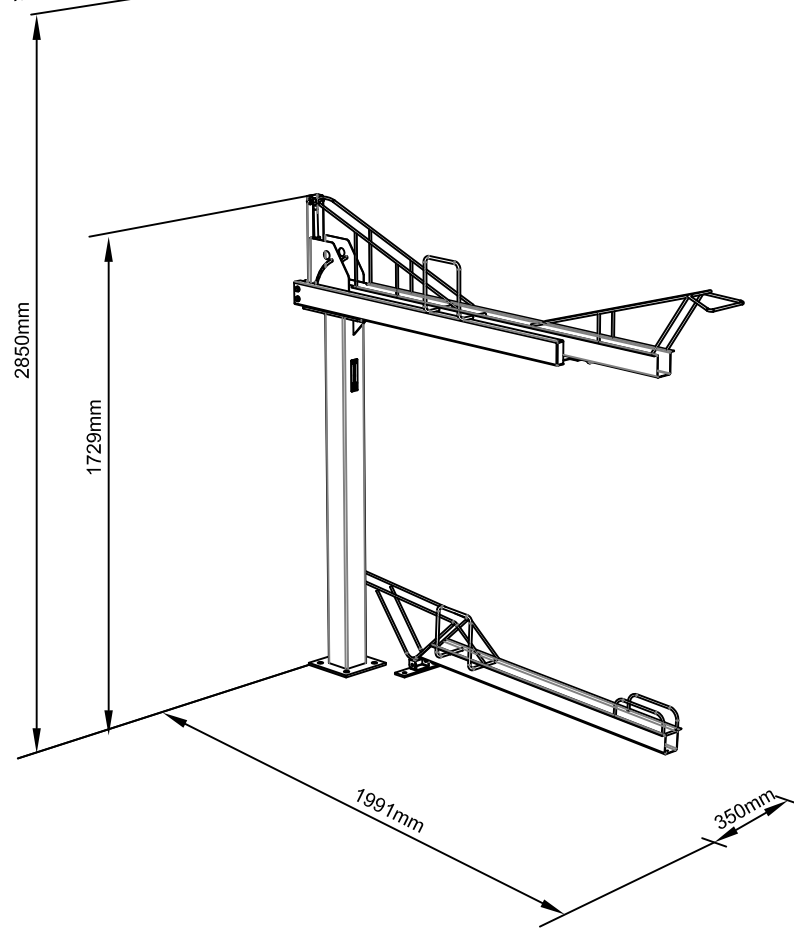
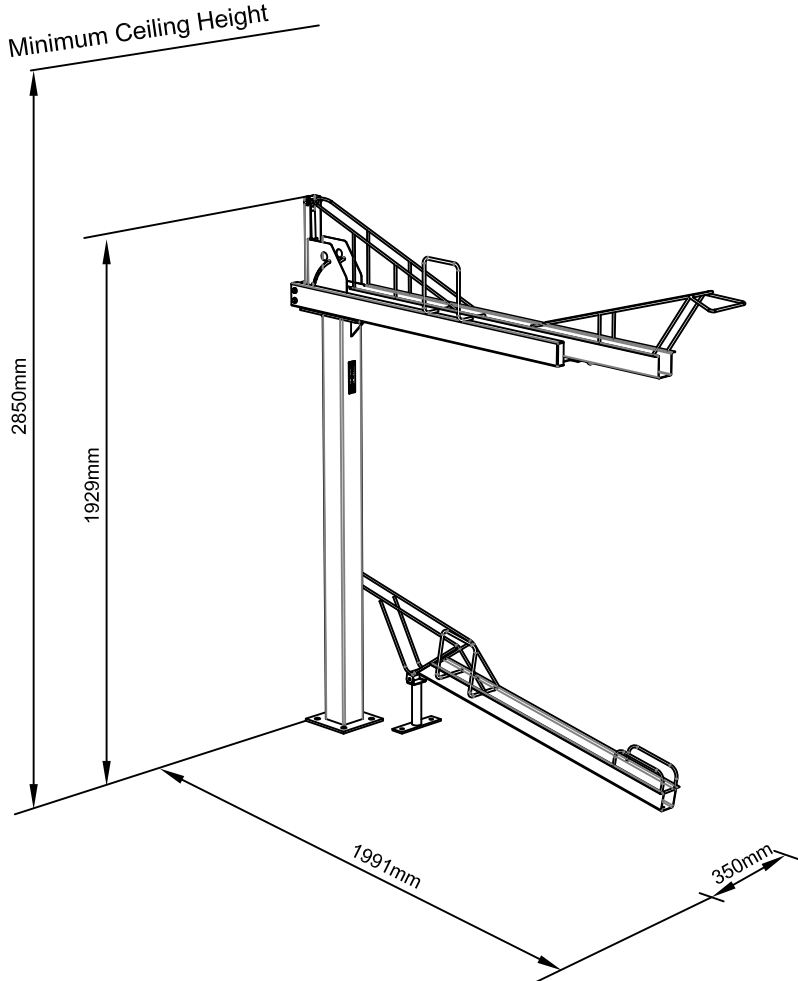


2 Bicycles Capacity

2 Bicycles Capacity

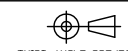
Minimum Ceiling Height

Minimum Ceiling Height



HIGH
CBR2GSB

LOW
CBR2GSA

MATERIAL DESCRIPTION: -				
FINISH: -			WEIGHT: kg	
SCALE: 1:15 AT A3		SW FILE: CBR2GS COST DOWN		
LINEAL TOLERANCES		ANGULAR TOLERANCES		
1.0 to 250	250 to 500	500 to 1000	1000 to 5000	± 0.5 °
± 0.2	± 0.5	± 1.0	± 2.5	
 THIRD ANGLE PROJECTION				
SV PART: CBR2GS COST DOWN				



HEAD OFFICE: 18 Reliance Drive, Tuggerah NSW 2258
 Phone +61 2 4353 3377 - Fax +61 2 4353 2255 - Email lvsales@l-v.com.au
 ©COPYRIGHT 2015 - ALL INTELLECTUAL PROPERTY RIGHTS RESERVED

ISSUED FOR: -		DRAWN BY: LEIM	
JOB No. -	CLIENT/SITE: -	APPROVED BY: -	
MODEL DESCRIPTION: CBR2GSB-Fully Assy			
ITEM: -	REV: 03	INDEX: -	DRAWING DATE: 2019/3/22
			SHEET: 1 OF 1

DO NOT SCALE DIMS - IF IN DOUBT ASK